

Product Change Notification & Product Discontinuation Notification [PCN & PDN]

Manufacturer master data	
Company short name: Phoenix Contact	
Title / short description: Änderung der Kontur des FE-Kontaktes; Produktreihe ME PLC 40 BUS	
Type of notification: Product change notification	Issue date: 2019-9-25 Document ID: CAC180001
PCN format version: VDMA24903_1.0	Document Revision: 00
Company name: PHOENIX CONTACT GmbH & Co. KG	
Street: Flachsmarktstraße 8	Contact type: MANUFACTURER
ZIP code: 32825	Business Unit: Device Connector Devices (DCS)
City: Blomberg	E-Mail: info@phoenixcontact.com
State: North-Rhine Westphalia	Country: DEU

Purpose/objective of the change

Affected article category

- Electronic housing

Item category by VDMA 24903

- Others

Change category

Item change type by smartPCN

Group

Detailed description of the change

Short-term change (< 6 months) or discontinuation (< 12 months), due to:

- Software / Firmware Bugfix
- Short-term delivery stop by supplier
- Short-term recall by supplier
- Force majeure
- Product improvement with customer benefits
- Others

Effective date (EOP)

2020-05-01

Detailed description of the change

Technical description – purpose

Technical description – detail

Identifying characteristics

Attachments

- Bild CAC180001 Alt Old.jpg
- Bild CAC180001 Neu New.jpg
- Material_list.csv
- PCNmaster_DE.pdf
- PCNmaster_EN.pdf

Material list

Item	Revision/production batch		Substitute item
	old	new	
2199809 ME-PLC RB FE CONTACT SN	02	03	
2201502 ME PLC 40 BUS 50/40 KIT BK	00	01	
2202058 ME PLC 40 BUS 50/40 KIT BKVPE1	00	01	
2201503 ME PLC 40 BUS 10/10 KIT BK	00	01	

Bild CAC180001 Alt Old

CAC180001 E-PLC RB FE Contact SN

Alt/Old

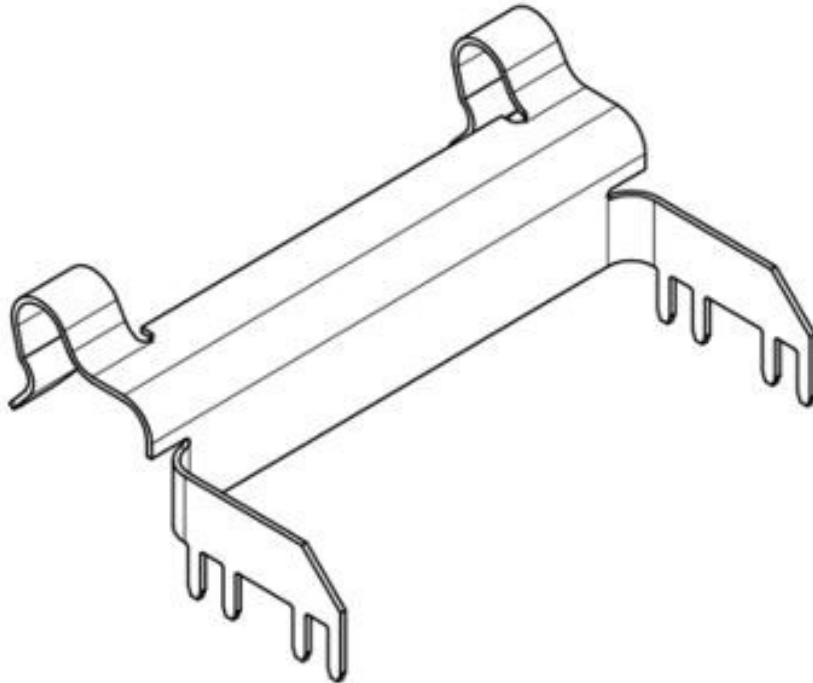


Bild CAC180001 Neu New

CAC180001 E-PLC RB FE Contact SN

Neu/New

